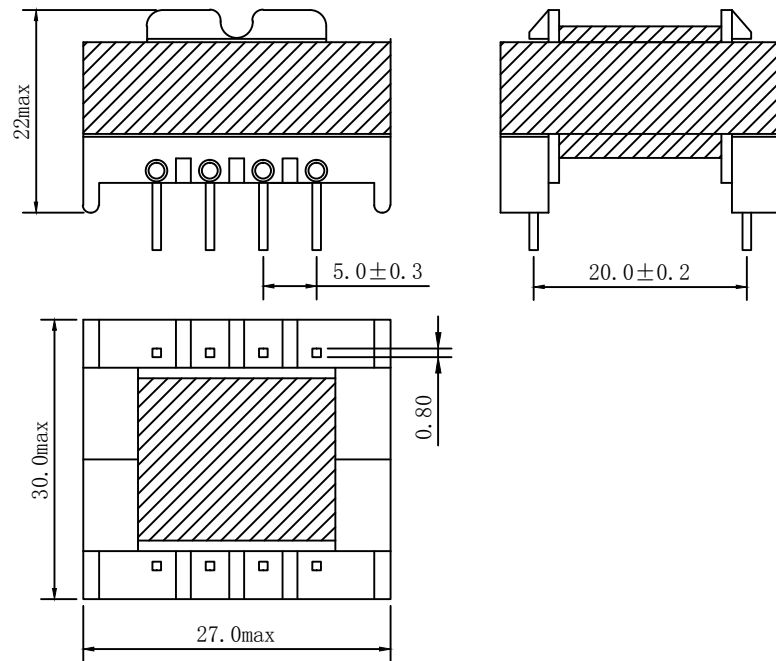


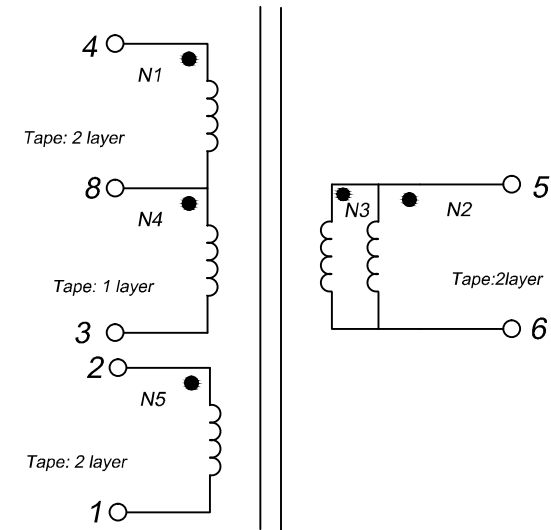
CUSTOMER TERMINAL	ROHS	Lead (Pb) -free
	YES	YES



1. Mechanical Dimensions (Unit:mm)



2. Schematic Diagram



3. Material List

Core:FW40-EE25
 Bobbin: FWB2504 4+4PIN
 Wire:2UEW 0.25mm 155°C
 Tapes: JY25-A1
 Vranish:T4260GK

4. Electrical Specification

Inductance: L(4-3)=1.1mH±10% 100KHZ 1.0V
 Hi-pot: N1,N4 to N5 AC 50HZ 1000V2mA3SEC
 P to S AC 50HZ 3000V2mA3SEC
 P to CORE AC 50HZ 1500V2mA3SEC

REV.	DATE	 Convention Placement	DRW.	Drawing Title:	Part No:
0	04/15		CHK.		
RoHS		www.ferriwo.com	APP.	Customer P/N:	Specification Sheet 1 of 1